

*Paper Mills of tomorrow need solutions that last...*



**Guiding, tensioning and cleaning solutions for pulp & paper industry**

Product Overview | Felt/Wire control & cleaning systems



**SCAN  
ENGINEERING**

An ISO 9001:2008 Certified Company

## COMPANY PROFILE

We are the manufacturers and distributors of felt/wire guiding, tensioning and cleaning devices for the paper industry. We started our operations in Vapi (Gujarat) in the year 1986 as an industrial enterprise known for its quality products and sturdy designs. Our manufacturing facilities are spread over an area of 1500 sq meters.

The company started its journey with just few products on hand; but by the continuous effort of the employees and the owner, backed by current technology, today it has come up with a range of products to offer to the range of paper mills. Since the inception of the company our motto has been to "adhere to strict quality-control and timely supplies."

The company is also manufacturing products for the projects undertaken by RUBY MACONS, one of the established names in the paper industry.



## VISION

Scan Engineering's vision is to be the preferred and most trusted source for the products and services that enhance paper machine capabilities. We want to be known for reliability, flexibility, responsiveness, innovative products and faster services. The vision is supported by two fundamental principles that provide the foundation for all of our activities: Organizational Excellence and core values



## MISSION

We are dedicated to supplying products of the highest quality, yet at a reasonable price for worldwide customer satisfaction. Our long term success requires a total commitment to exceptional standards of performance and productivity, to working together effectively, and to willingness to embrace new ideas and learn continuously.

## PRODUCT RANGE

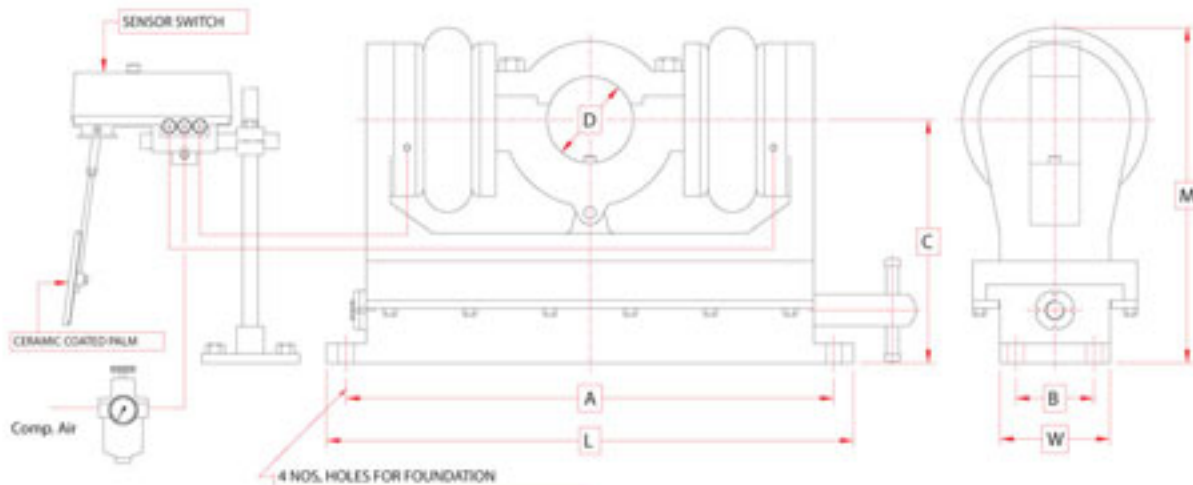
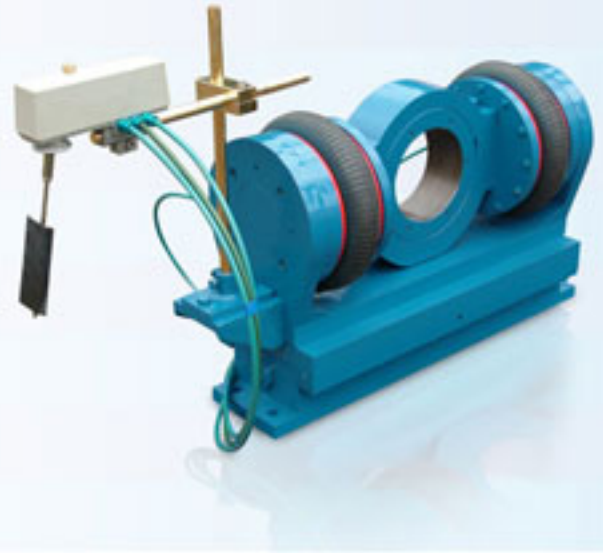
- Auto Guides (Bellows Type)
- Auto Guides (Piston Type)
- High Pressure Oscillating Shower
- Self Cleaning Shower
- Starch Spraying System
- Stretchers
- Rope Feeding System
- Knife Gate Valves



## Auto Guides (Bellows type)

Felt and Wire Auto Guide Systems are designed to keep the wire running properly in the center of the roll over which it travels. If you loose control over your wire felt or fabric, the cost incurred in damaged clothing is high. Lost production can make such accidents extremely irritating and costly.

Installing the reliable and well proven automatic wire and felt guiding system represents an easy way and inexpensive way to avoid this problem. It comprises of an actuator and pneumatic controller with ceramic coated palm assembly, the Auto Guide works without sliding surfaces.



TYPE	D	L	W	A	B	H(Hole)	C	M	Weight
SC120	120	670	140	620	100	20	305	430	200
SC190	190	850	170	775	100	20	350	505	325

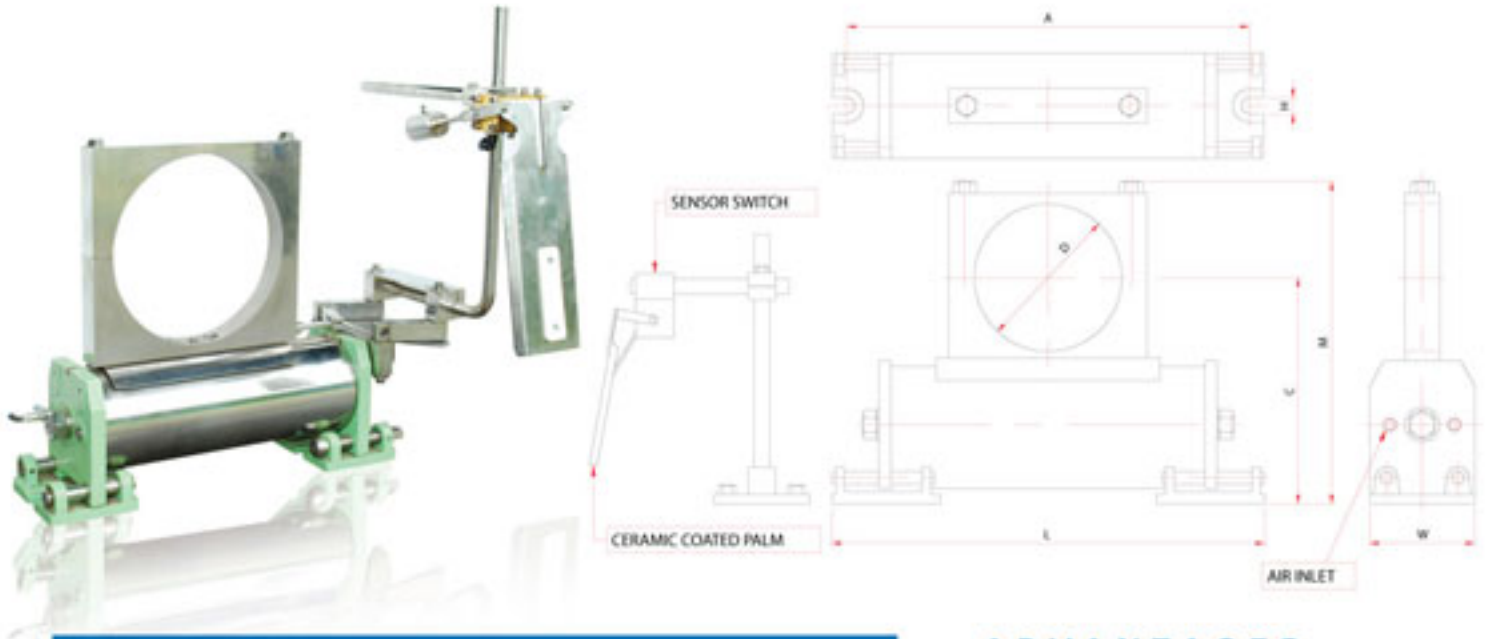
## ADVANTAGES

- ▶ **IMMEDIATE RESPONSE** to any movement of the clothing in the crossmachine direction without overcompensation
- ▶ **VERY FEW MOVING PARTS.** Hence minimal need for maintenance work.
- ▶ All moving parts are **FULLY ENCLOSED** for complete protection against waters, fibers and dust.
- ▶ Extremely **LOW AIR CONSUMPTION.** Normal working pressure is 3.0 Kg/cm<sup>2</sup>
- ▶ Suited for **INSTALLATION IN ANY POSITION** – horizontal, vertical, inclined or upside down
- ▶ Easy to install and operate, **NO ADJUSTMENT REQUIRED** before starting up.
- ▶ **BUILT IN** Manual over ride system



## Auto Guides (Piston type)

The Auto Guide was developed on the basis of the proven pneumatic mechanism. It features an integrated manual basic adjustment facility. Its nominal load capacity of 13KN means it can be used in paper machines upto approx 5 m width. Due to its minimum space requirement it is ideal for replacing existing guides or for automation of the guiding on paper machines



TYPE	SCP451	SCP601	SCP602	SCP603
Wire/Felt Width	3500 mm	5500 mm	7000 mm	>7000 mm
Automatic Stroke	+/- 45 mm	+/- 60 mm	+/- 60 mm	+/- 80 mm
Manual Stroke	+/- 25 mm	+/- 30 mm	+/- 30 mm	+/- 40 mm
Actuating Force	3.5 KN	5.3 KN	9.4 KN	14.1 KN
Max Operating Temp.	150	150	150	150
Material	Wet : SS	Wet : SS	Wet : SS	Wet : SS
	Dry : MS	Dry : MS	Dry : MS	Dry : MS

## ADVANTAGES

- ▶ Cylinder type **compact** design
- ▶ Heat resistant upto **150 degree Celsius**
- ▶ Considerable reduction in air consumption due to mechanical proportional feedback control
- ▶ The guides can be installed in horizontal, vertical, inclined & over hanging position
- ▶ Autoguides, which can function upto 1650 mpm

## Edge Sensor

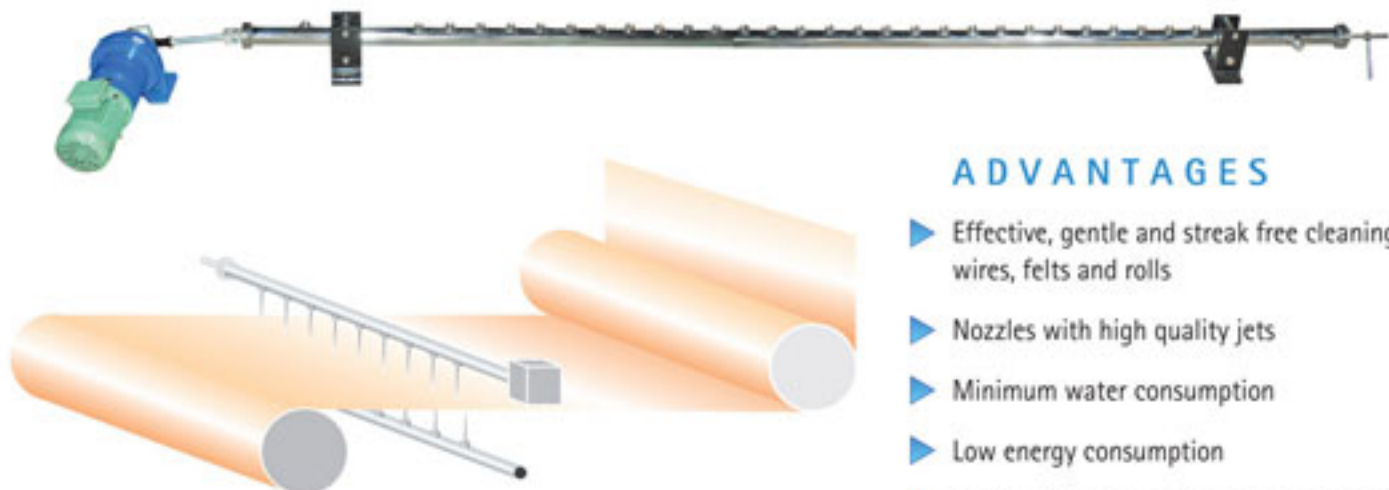
## ADVANTAGES

- ▶ Low Cost
- ▶ Easy installation & operation
- ▶ Low air consumption
- ▶ Spring loaded sensor paddle
- ▶ Simple pneumatic circuit
- ▶ Ceramic strip fitted palm
- ▶ Very quick guide response
- ▶ High Accuracy due to low dead zone
- ▶ Very low fabric edge pressure



## High Pressure Oscillating Shower

The Cleaning and conditioning of the wires, felts and rolls is of critical importance in paper manufacturing. Sufficient dewatering and sheet formation can only be assured if wires, felts and rolls are clean. SCAN high pressure showers guarantee efficient cleaning.



*High Pressure Shower used for wire cleaning on paper machine*

### ADVANTAGES

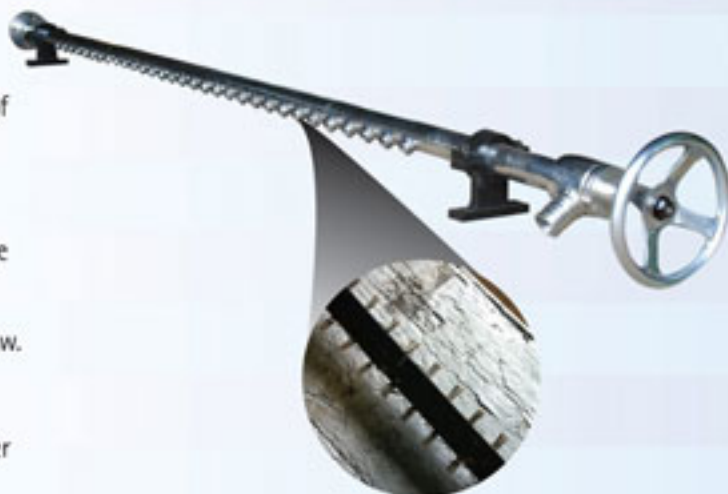
- ▶ Effective, gentle and streak free cleaning of wires, felts and rolls
- ▶ Nozzles with high quality jets
- ▶ Minimum water consumption
- ▶ Low energy consumption
- ▶ Optimum operational safety and availability
- ▶ Low maintenance and service requirements
- ▶ Rugged in construction
- ▶ Simple in operation

## Self Cleaning Shower

The S.S self cleaning shower comes with a disc type jet nozzle & a brush assembly. In order to achieve the desired quality of paper it is necessary that the shower systems are in place. It utilizes a hand wheel to rotate the brush assembly. The brushes do not shut down the spraying operation. The shower continues to spray during the flush out operation. The large passages between the brush sections allow full flow while the system operates.

### ADVANTAGES

- ▶ An internal rotating brush assembly scrubs the interior wall of the shower and nozzle orifices to sweep debris away.
- ▶ Ideal for use with recirculating systems or white water.
- ▶ The brushes operate while showers are in use to maximize machine uptime.
- ▶ Brushes are staggered at 120 intervals to allow full system flow.
- ▶ Compact design makes it ideal to use inside paper machines.
- ▶ Use of fresh water, untreated water, clarified water, back water



## Starch Spraying System

With fibers being recycled again and again, the inherent strength of paper falls, fibers become less flexible, less permeable and harder to process. Starch spraying system boosts the strength of the paper. The system uses quality precision nozzles to discharge a suspended starch solution to the fiber web of the paper. Amount of starch solution sprayed and proper mixing of chemicals is very critical in deciding the quality and strength of the paper.



### ADVANTAGES

- ▶ Improves the dry strength, ply bond and stiffness of paper
- ▶ Enhance the surface integrity for improved writing/printing
- ▶ Reduce refining energy needs by providing additional strength to the paper
- ▶ Improved starch retention
- ▶ Simplicity of operations & Maintenance
- ▶ Starch addition rate, point of addition are also important points to cover for optimum performance
- ▶ It anchors & distributes the reactive sizes to paper making fibres, thus enhancing the cleanliness of the paper making system & improves productivity

## Stretchers

This system including a lever arm and a mass co-operating to exert a rotational force on a roll carrying the felt, whose rotation is converted to a lateral movement of the roll into the felt, thereby stretching the felt.

### ADVANTAGES

- ▶ Optimize paper quality and productivity
- ▶ Reach maximum fabric life
- ▶ Avoid overstretching and risk the damage at bearings or roll breaks
- ▶ Increase drying efficiency at the dryer cylinders
- ▶ Reduce sheet breaks
- ▶ Avoid slippage of drive rolls
- ▶ More durable than chain stretcher
- ▶ Requires fewer moving components



## Rope Carrying System

Rope carrying systems is an answer to the safety and time concerns of threading the paper machines by hand. As machine speeds increased, the need for a faster, more efficient and safe method of threading was needed; therefore the SCAN rope feeding system was developed. A constant obstacle for the paper industry is improving the abrasion resistance of a carrier rope while maintaining effective grip properties of the rope. This can be solved by our rope feeding system.

### ADVANTAGES

- ▶ Reduction in loss of productivity
- ▶ Reduction in loss of tonnage.
- ▶ Increased safety
- ▶ Increase in Efficiency



## Knife Gate Valves

SCAN Knife Gate Valves are designed for on –off & throttling applications. They feature a cast body in C.I, SS 304 & SS316. These valves are available in sizes ranging from 2" to 20" ( DN 50 mm to DN 500 mm) and in metal and resilient seated versions. A variety of actuator options are available including handwheel and pneumatic cylinder. A full complement of accessories is also offered.

### FEATURES

- ▶ One Piece and Two Piece Body
- ▶ Resilient Seat & Metal Seat
- ▶ Port Option
  - 'O' Port (Standard)
  - 'V' Port
- ▶ Sizes available : 2" to 20" dia.
- ▶ Actuator Option
  - Handwheel
  - Pneumatic cylinder

PARTS	STANDARD MATERIALS
Body	SS 304/CI/Cl with SS Cladding/Brass
Knife	SS 304 (Standard), SS316
Seat Ring	SS 304 (Standard), SS316
Stem	SS304 (Standard), SS316
Stem Nut	Gun Metal
Handwheel	Cast Iron, Ni-Cr plated / MS fabricated
Bolt	SS 304 / MS
Packing	EPDM / Nitril / Viton / PTFE / Neoprene
Studs	MS, Ni-Cr plated



## Run off Alarm

The run off alarm allows the reliable survey of the paper machine clothing under severe conditions. It detects the felt or wire position and gives a sound or optical signal when the felt/wire exceeds the specified limit. It can be used for both dry and wet application.



## Nozzles



Veejet Nozzle



Unijet Nozzle



Self Cleaning Nozzle



Needle Jet Nozzle



Fish Tail Nozzle

For further inquiry:

**SCAN ENGINEERING**

An ISO 9001:2008 Certified Company

Plot No. 763 Et 764, 40 Shed Area, G.I.D.C., VAPI 396195. Dist. Valsad, Gujarat, INDIA

Tel. +91 260 3201321 • Telefax +91 260 2424188 • info@scanengg.com • www.scanengg.com



ISO 9001:2008



GMS 004

Authorised Distributor: